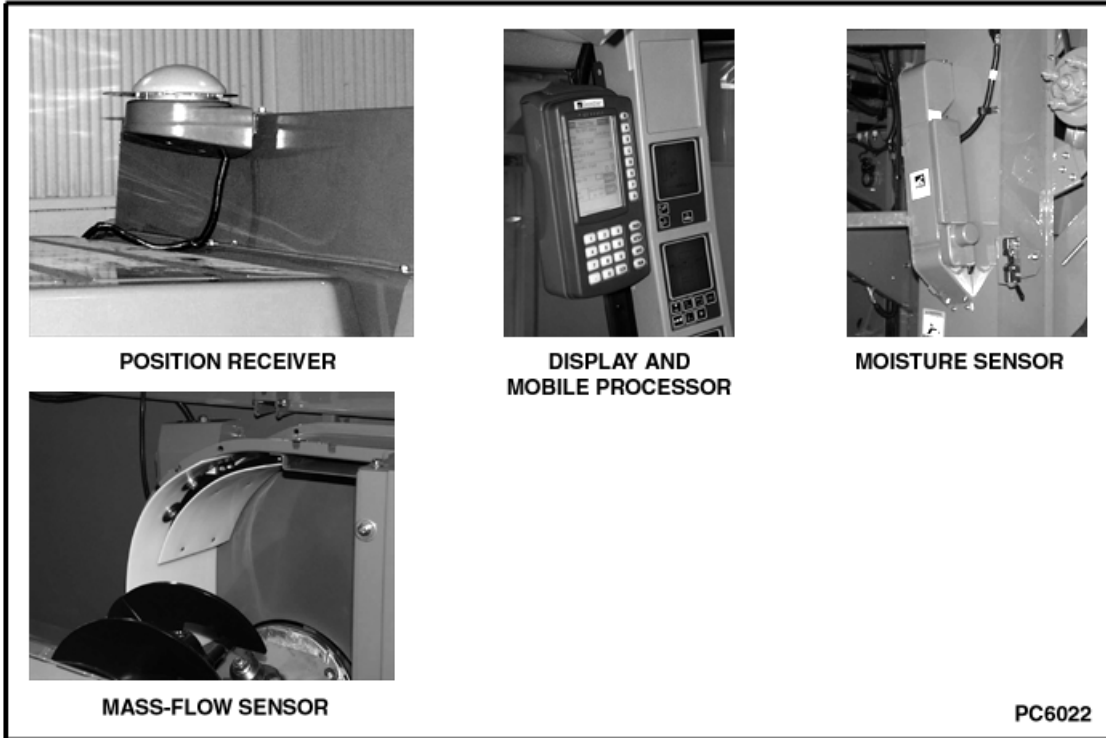


# A2

## GREENSTAR™ 50 SERIES COMBINE YIELD MONITOR SYSTEM AND YIELD MAPPING SYSTEM

PC6022

-UN-03AUG99



GREENSTAR™ YIELD MAPPING SYSTEM (1999- )

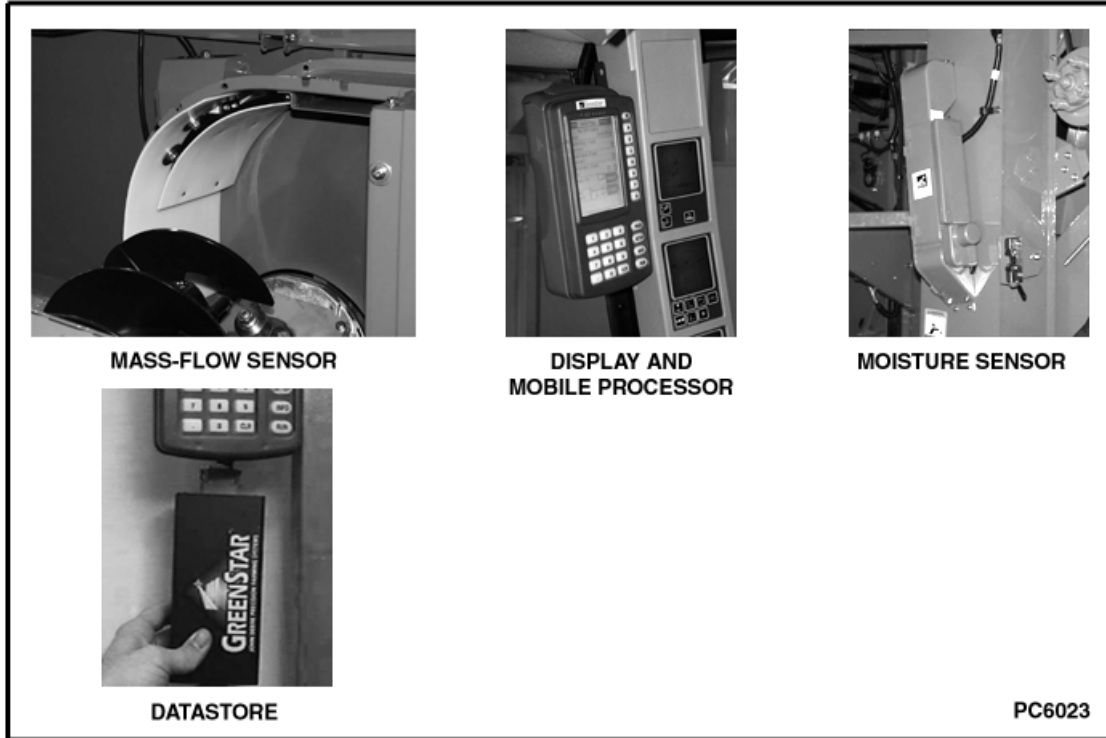
(SPECIFICATIONS AND DESIGN SUBJECT TO CHANGE WITHOUT NOTICE)

# A3

## GREENSTAR™ 50 SERIES COMBINE YIELD MONITOR SYSTEM AND YIELD MAPPING SYSTEM

PC6023

-UN-03AUG99



GREENSTAR™ YIELD MONITORING SYSTEM (1999- )

(SPECIFICATIONS AND DESIGN SUBJECT TO CHANGE WITHOUT NOTICE)

# A4

VINTAGE IS DETERMINED BY THE SERIAL NUMBER OR THE PRODUCT IDENTIFICATION NUMBER (PIN).

## **IMPORTANT**

THIS PARTS CATALOG CONTAINS PARTS INFORMATION FOR THE GREENSTAR™ COMBINE YIELD MAPPING AND MONITORING SYSTEM. THIS SYSTEM IS USED ON 9450, 9550, SH9550, 9650, 9650STS, 9650CTS AND 9750STS. VINTAGE IS DETERMINED BY THE SERIAL NUMBER OR THE PRODUCT IDENTIFICATION NUMBER (PIN). IT IS IMPORTANT THAT THE CORRECT NUMBERS BE USED WHEN ORDERING PARTS.

## PRODUCT INFORMATION NUMBER (PIN) PLATE

THE PRODUCT IDENTIFICATION NUMBER (PIN) PLATE IS LOCATED ON THE FRONT COVER OF THE MAPPING PROCESSOR.

### AN EXAMPLE OF THE TWO-LINES ON THIS PIN PLATE IS:

PCGU01XXXXXX  
COMBINE YIELD MAPPING

(FIRST LINE)

PC - MANUFACTURING UNIT (PRECISION FARMING)

G - GREENSTAR

U - GREENSTAR DISPLAY; V - MOBILE PROCESSOR; X - MASS-FLOW SENSOR

W - MOISTURE SENSOR; T - POSITION RECEIVER

640101 - SEQUENTIAL NUMBER USED IN SERIAL NO. COLUMN

(SECOND LINE)

COMBINE YIELD MAPPING - TYPE OF PRODUCT

## PARTS LISTING INFORMATION

SERIAL NUMBER OR PRODUCT IDENTIFICATION NUMBER (PIN) INFORMATION SHOWS ON WHICH EQUIPMENT PART MAY BE USED; FOR EXAMPLE:

- THE PART CAN BE USED ON ALL MACHINES.
- 000000 THE PART CAN BE USED ON ALL MACHINES UP TO AND INCLUDING THE SERIAL NUMBER LISTED.
- 000000- THE PART CAN BE USED ON ALL MACHINES BEGINNING WITH THE SERIAL NUMBER LISTED.
- 000000-000000 THE PART CAN BE USED ON ALL MACHINES BETWEEN AND INCLUDING SERIAL NUMBERS LISTED.

WHEN XXXXXX'S ARE LISTED IN PLACE OF A SERIAL NUMBER, A SERIAL NUMBER CHANGE WAS MADE, BUT THE EXACT SERIAL NUMBER IS NOT AVAILABLE WHEN THE CATALOG WAS PRINTED.

## DIRECTION ARROW

ARROWS ARE USED WITH ILLUSTRATIONS TO INDICATE THE FRONT OF THE UNIT. "RIGHT-HAND" AND "LEFT-HAND" SIDES ARE DETERMINED BY FACING IN THE DIRECTION OF MACHINE FORWARD TRAVEL.

## BOX-ENCLOSED ILLUSTRATIONS

A KEY NUMBER, SHOWN IN THE PARTS LIST, IS ASSIGNED TO A BOX ENCLOSING ALL PARTS SOLD AS A SERVICE ASSEMBLY. A BOX NOT KEYED INCLUDES NON-CURRENT PARTS.

## KITS

KIT INFORMATION WILL BE FOUND IMMEDIATELY FOLLOWING THE STORY IN WHICH IT IS USED. THE ILLUSTRATION IS REPEATED WITH ONLY THE KIT PARTS CALLED OUT AND WITH ALL OTHER PARTS SHOWN IN PHANTOM.

*COPYRIGHT (C) 1997. DEERE & COMPANY. MOLINE, ILLINOIS. ALL RIGHTS RESERVED.*

## JDM REMANUFACTURED COMPONENTS

THE SERVICE PARTS LISTED IN THIS CATALOG ARE INTENDED FOR THE REPAIR OF ORIGINAL EQUIPMENT COMPONENTS. ALTHOUGH MOST SERVICE PARTS MAY BE USED TO REPAIR REMANUFACTURED COMPONENTS, THE REMANUFACTURED DESIGN MAY CHANGE PARTS SUFFICIENTLY SO THAT SERVICE PARTS ARE INADEQUATE OR NOT USABLE.

## BOLT AND CAP SCREW STRENGTH IDENTIFICATION

BOLTS AND CAP SCREWS REQUIRED TO HAVE HIGH-STRENGTH QUALITIES EQUIVALENT TO SAE GRADE 8 ARE IDENTIFIED THROUGHOUT THIS CATALOG BY THE DESCRIPTION HS SAE 8. ALL STANDARD BOLTS AND CAP SCREWS ARE SAE GRADE 5 OR LOWER. BOLTS AND CAP SCREWS REQUIRED TO HAVE HIGH-STRENGTH QUALITIES EQUIVALENT TO PROPERTY CLASS 10.9 ARE IDENTIFIED THROUGHOUT THIS CATALOG BY THE DESCRIPTION HS 10.9. ALL STANDARD BOLTS AND CAP SCREWS ARE PROPERTY CLASS 8.8 OR LOWER.

## SI UNITS OF MEASURE

METRIC DIMENSIONS ARE GIVEN, WHERE APPLICABLE, THROUGHOUT THIS PARTS CATALOG.

## TRADEMARKS

THROUGHOUT THIS PARTS CATALOG, YOU WILL FIND THE FOLLOWING DEERE & COMPANY TRADEMARKS:

GREENSTAR™

## CHANGE INDICATOR LINE

CHANGES AFFECTING THE ORDERING OF PARTS ARE IDENTIFIED BY VERTICAL LINES MARKED IN THE LEFT-HAND MARGIN OF REVISED PARTS LISTING IMAGES. A LINE IS ALSO AT THE LEFT-HAND EDGE OF THE SAME PART NUMBER IN THE NUMERICAL INDEX TO SHOW THE LOCATION OF REVISED INFORMATION.

## FUNCTION CODE

(EXAMPLE - FC: 5000)

FUNCTION CODES ARE LOCATED ON EACH PAGE IN THE UPPER RIGHT-HAND CORNER IN THE BOX. THE CODE LISTED IS A GROUPING CODE THAT CAN BE USED FOR WARRANTIES AND FOR DTAC TO IDENTIFY CERTAIN AREAS.

## COMPLETE GOODS LISTINGS

COMPLETE GOODS ARE IN BOLD FACE TYPE. ORDER SEPARATELY. DO NOT INCLUDE ON REPLACEMENT PARTS ORDER.

SECTION INDEX

SECTION 10 - GENERAL INFORMATION

SECTION 20 - COMBINE YIELD MAPPING

SECTION 30 - COMBINE YIELD MONITOR

SECTION 180 - NUMERICAL INDEX

# A8

## GREENSTAR™ 50 SERIES COMBINE YIELD MONITOR SYSTEM AND YIELD MAPPING SYSTEM

### ALPHABETICAL INDEX

<i>GRID</i>		<i>PAGE</i>	<i>GRID</i>		<i>PAGE</i>
<b>B</b>					
A14	BRACKET, DISPLAY YIELD MAPPING .....	20-4	B2	DISPLAY YIELD MONITOR .....	30-2
B2	BRACKET, DISPLAY YIELD MONITOR .....	30-2	A14	DISPLAY BRACKET YIELD MAPPING .....	20-4
A16	BRACKET, MASS FLOW SENSOR YIELD MAPPING .....	20-6	B2	DISPLAY BRACKET YIELD MONITOR .....	30-2
B4	BRACKET, MASS FLOW SENSOR YIELD MONITOR .....	30-4	B14	DISPLAY DECALS YIELD MONITOR .....	30-14
A18	BRACKET, MOISTURE SENSOR YIELD MAPPING .....	20-8	B10	DISPLAY W/DATASTORE .....	30-10
B6	BRACKET, MOISTURE SENSOR YIELD MONITOR .....	30-6	A16	DOOR, MASS FLOW SENSOR DEFLECTOR YIELD MAPPING .....	20-6
A12	BRACKET, POSITION RECEIVER YIELD MAPPING .....	20-2	B4	DOOR, MASS FLOW SENSOR DEFLECTOR YIELD MONITOR .....	30-4
A16	BRACKET, TRANSDUCER MOUNTING YIELD MAPPING .....	20-6	<b>F</b>		
B4	BRACKET, TRANSDUCER MOUNTING YIELD MONITOR .....	30-4	A16	FLOW SENSOR, MASS YIELD MAPPING .....	20-6
<b>C</b>					
B8	CABLE, DATASTORE/COMPUTER.....	30-8	B4	FLOW SENSOR, MASS YIELD MONITOR .....	30-4
A18	COVER, MOISTURE SENSOR YIELD MAPPING .....	20-8	<b>H</b>		
B6	COVER, MOISTURE SENSOR YIELD MONITOR .....	30-6	B10	HARNESS, DATASTORE.....	30-10
A12	COVER, POSITION RECEIVER YIELD MAPPING .....	20-2	A18	HARNESS, MOISTURE SENSOR MOTOR YIELD MAPPING .....	20-8
A20	COVERS, MOISTURE SENSOR YIELD MAPPING .....	20-10	B6	HARNESS, MOISTURE SENSOR MOTOR YIELD MONITOR .....	30-6
B12	COVERS, MOISTURE SENSOR YIELD MONITOR .....	30-12	<b>M</b>		
A20	COVERS, WHEN MOISTURE SENSOR IS NOT USED YIELD MAPPING .....	20-10	A16	MASS FLOW SENSOR YIELD MAPPING .....	20-6
B12	COVERS, WHEN MOISTURE SENSOR IS NOT USED YIELD MONITOR .....	30-12	B4	MASS FLOW SENSOR YIELD MONITOR .....	30-4
<b>D</b>					
B8	DATASTORE.....	30-8	A16	MASS FLOW SENSOR BRACKET YIELD MAPPING .....	20-6
B8	DATASTORE MODULE .....	30-8	B4	MASS FLOW SENSOR BRACKET YIELD MONITOR .....	30-4
B10	DATASTORE MODULE .....	30-10	A16	MASS FLOW SENSOR DOOR YIELD MAPPING .....	20-6
B10	DATASTORE W/DISPLAY .....	30-10	B4	MASS FLOW SENSOR DOOR YIELD MONITOR .....	30-4
A22	DECALS YIELD MAPPING .....	20-12	A14	MOBILE PROCESSOR YIELD MAPPING .....	20-4
B14	DECALS YIELD MONITOR .....	30-14	B8	MODULE, DATASTORE.....	30-8
A22	DECALS, DISPLAY YIELD MAPPING .....	20-12	B10	MODULE, DATASTORE.....	30-10
B14	DECALS, DISPLAY YIELD MONITOR .....	30-14	A18	MOISTURE SENSOR YIELD MAPPING .....	20-8
A22	DECALS, MOISTURE SENSOR YIELD MAPPING .....	20-12	B6	MOISTURE SENSOR YIELD MONITOR .....	30-6
B14	DECALS, MOISTURE SENSOR YIELD MONITOR .....	30-14	A18	MOISTURE SENSOR BRACKET YIELD MAPPING .....	20-8
A22	DECALS, PROCESSOR YIELD MAPPING .....	20-12	B6	MOISTURE SENSOR BRACKET YIELD MONITOR .....	30-6
A16	DEFLECTOR DOOR, MASS FLOW SENSOR YIELD MAPPING .....	20-6	A18	MOISTURE SENSOR COVER YIELD MAPPING .....	20-8
B4	DEFLECTOR DOOR, MASS FLOW SENSOR YIELD MONITOR .....	30-4	B6	MOISTURE SENSOR COVER YIELD MONITOR .....	30-6
A14	DISPLAY YIELD MAPPING .....	20-4	A20	MOISTURE SENSOR COVERS YIELD MAPPING .....	20-10
			B12	MOISTURE SENSOR COVERS YIELD MONITOR .....	30-12

# A9

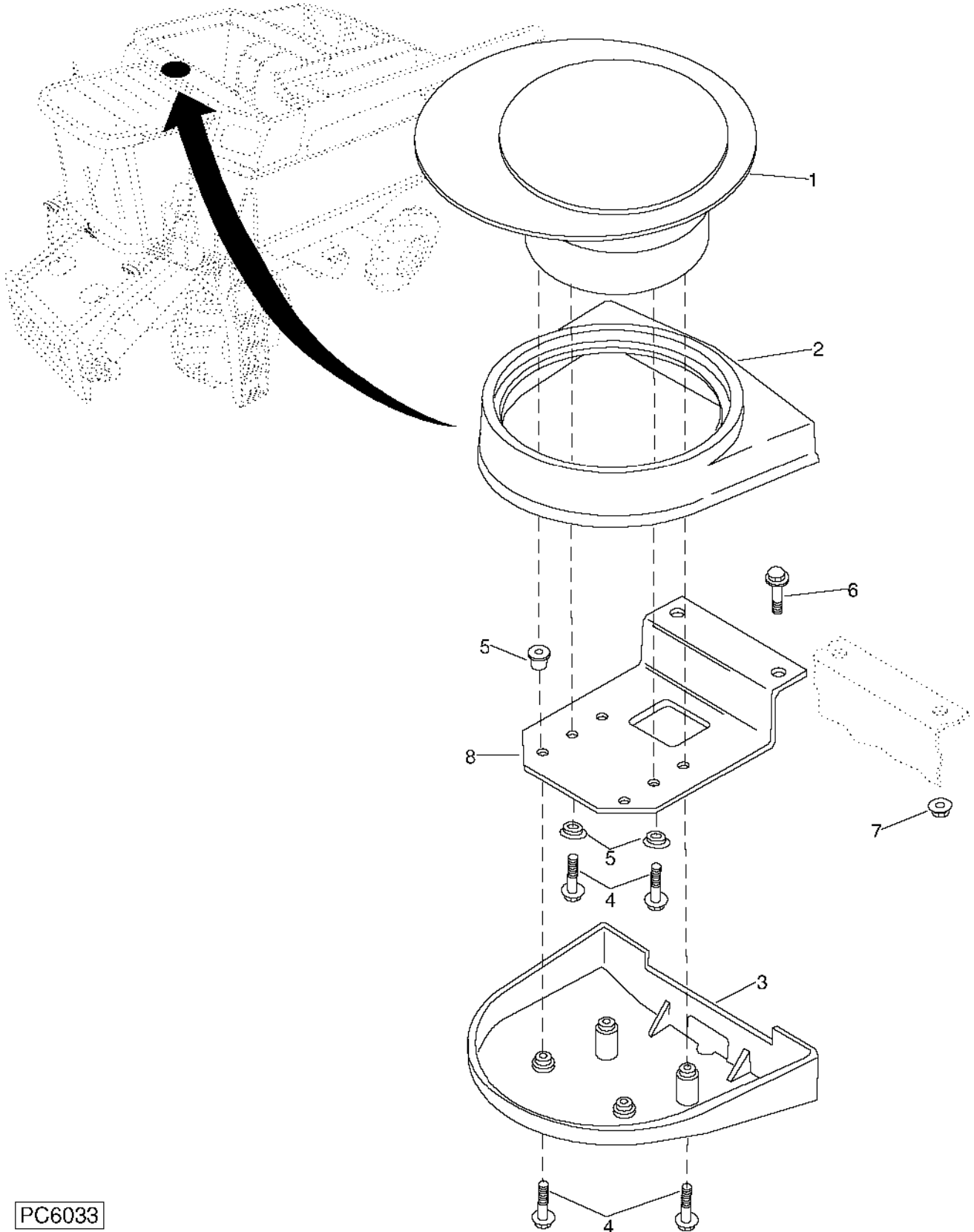
## ALPHABETICAL INDEX - CONTINUED

<i>GRID</i>		<i>PAGE</i>	<i>GRID</i>	<i>PAGE</i>
A20	MOISTURE SENSOR COVERS - YIELD MAPPING W/O MOISTURE SENSOR .....	20 - 10		
B12	MOISTURE SENSOR COVERS - YIELD MONITOR W/O MOISTURE SENSOR .....	30 - 12		
B14	MOISTURE SENSOR DECALS YIELD MONITOR .....	30 - 14		
A18	MOISTURE SENSOR MOTOR YIELD MAPPING .....	20 - 8		
B6	MOISTURE SENSOR MOTOR YIELD MONITOR .....	30 - 6		
A18	MOISTURE SENSOR MOTOR HARNESS YIELD MAPPING .....	20 - 8		
B6	MOISTURE SENSOR MOTOR WIRING HARNESS YIELD MONITOR .....	30 - 6		
A18	MOTOR, MOISTURE SENSOR YIELD MAPPING .....	20 - 8		
B6	MOTOR, MOISTURE SENSOR YIELD MONITOR .....	30 - 6		
P				
A18	PADDLE, MOISTURE SENSOR YIELD MAPPING .....	20 - 8		
B6	PADDLE, MOISTURE SENSOR YIELD MONITOR .....	30 - 6		
A12	POSITION RECEIVER YIELD MAPPING .....	20 - 2		
A12	POSITION RECEIVER BRACKET YIELD MAPPING .....	20 - 2		
A12	POSITION RECEIVER COVER YIELD MAPPING .....	20 - 2		
A14	PROCESSOR, MOBILE YIELD MAPPING .....	20 - 4		
R				
A12	RECEIVER, POSITION YIELD MAPPING .....	20 - 2		
S				
A16	SENSOR, MASS FLOW YIELD MAPPING .....	20 - 6		
B4	SENSOR, MASS FLOW YIELD MONITOR .....	30 - 4		
A18	SENSOR, MOISTURE YIELD MAPPING .....	20 - 8		
B6	SENSOR, MOISTURE YIELD MONITOR .....	30 - 6		
T				
A16	TRANSDUCER YIELD MAPPING .....	20 - 6		
B4	TRANSDUCER YIELD MONITOR .....	30 - 4		
A16	TRANSDUCER MOUNTING BRACKET YIELD MAPPING .....	20 - 6		
B4	TRANSDUCER MOUNTING BRACKET YIELD MONITOR .....	30 - 4		
B8	TRANSFORMER, DATASTORE .....	30 - 8		



MEMORANDA

**POSITION RECEIVER**  
PC6033 -UN-03SEP99

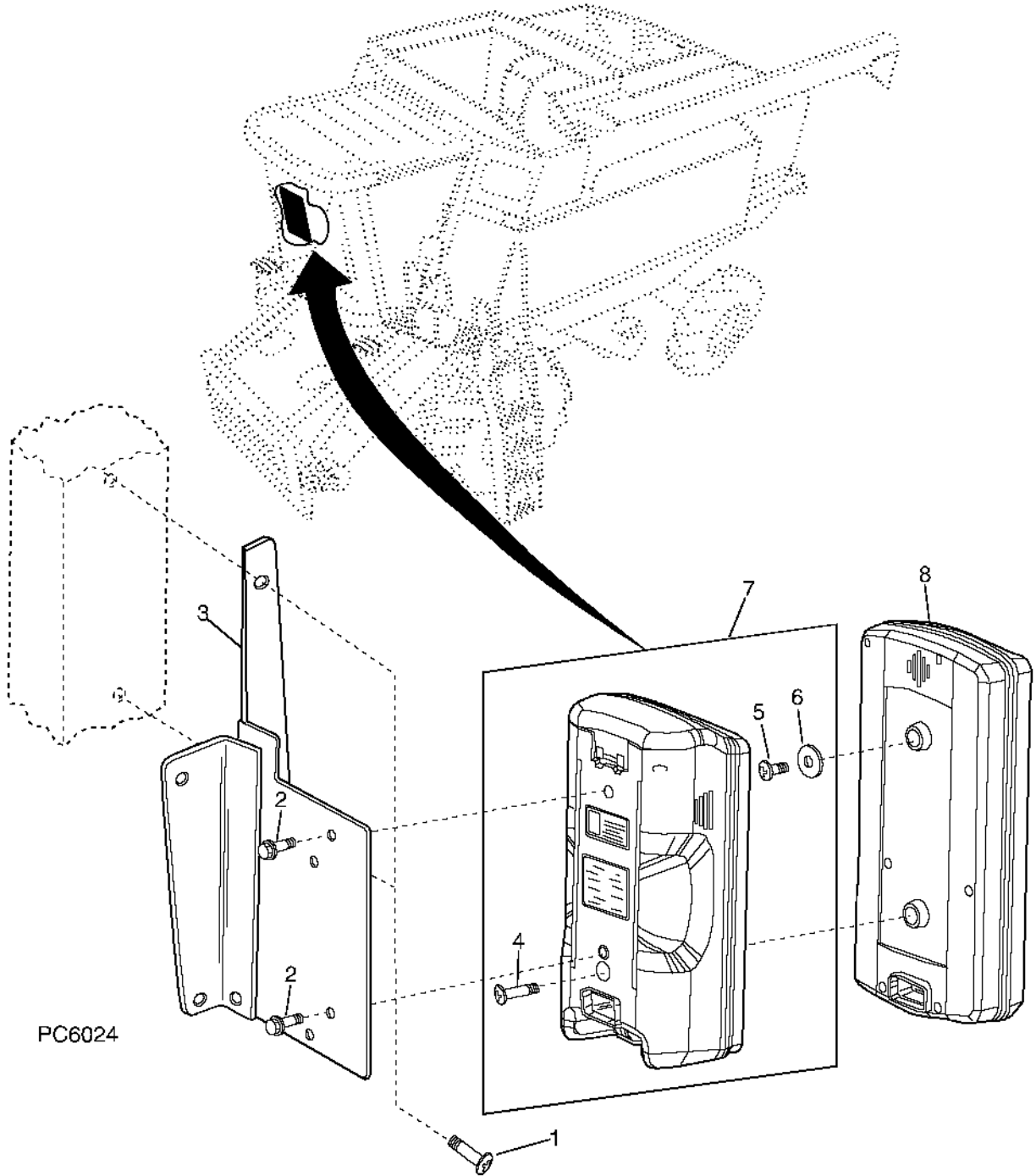


PC6033

POSITION RECEIVER - CONTINUED

KEY	PART NO.	PART NAME	QTY	SERIAL NO.	REMARKS
1	PF80153	POSITION RECEIVER	1		
2	PF10134	COVER	1		TOP
3	PF10135	COVER	1		BOTTOM
4	21M7267	SCREW	6		M6 X 20
5	PF10240	WASHER	6		NYLON SPACERS
6	19M7865	SCREW	2		M8 X 16
7	14M7298	FLANGE NUT	2		M8
8	PF10123	BRACKET	1		9450, 9550 AND 9650 COMBINE
	PF10523	BRACKET	1		9750 COMBINE

GREENSTAR™ DISPLAY AND MOBILE PROCESSOR  
PC6024 -UN-11AUG99



PC6024

**GREENSTAR™ DISPLAY AND MOBILE PROCESSOR - CONTINUED**

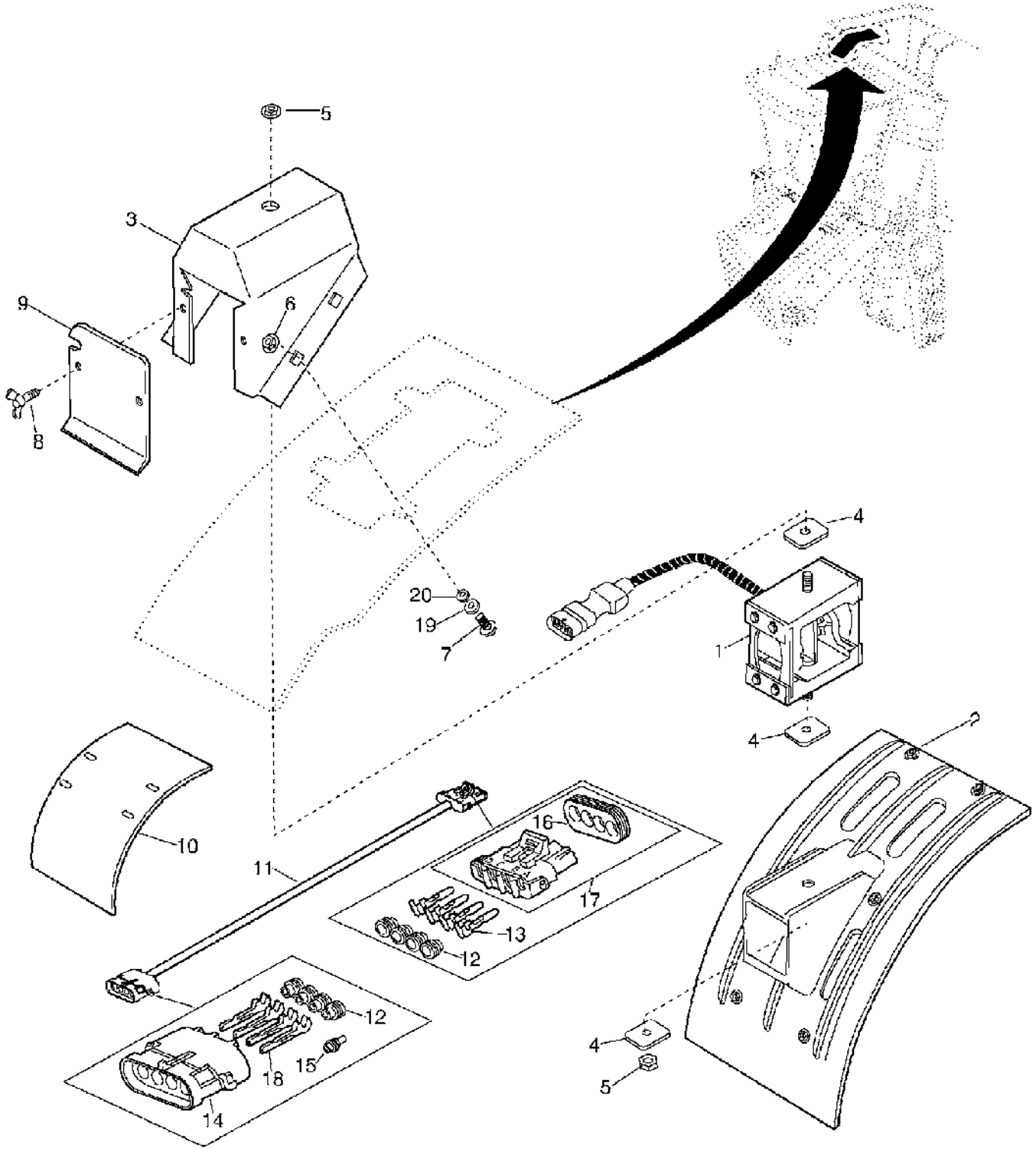
KEY	PART NO.	PART NAME	QTY	SERIAL NO.	REMARKS
1	H168424	SCREW	2		M5 X 12
2	19M7774	SCREW	2		M6 X 12
3	PF80209	BRACKET	1		
4	21M7327	SCREW	1		
5	21M7305	SCREW	1		M6 X 12
6	24M7100	WASHER	1		6.600 X 22 X 2 MM
7	PF80156	MOBILE PROCESSOR MODULE	1		
8	PF80150	GREENSTAR DISPLAY MODULE	1		

# A16

FC: 8150

GREENSTAR™ COMBINE MAPPING

MASS FLOW SENSOR  
PC6027 -UN-24SEP99



PC6027

## MASS FLOW SENSOR - CONTINUED

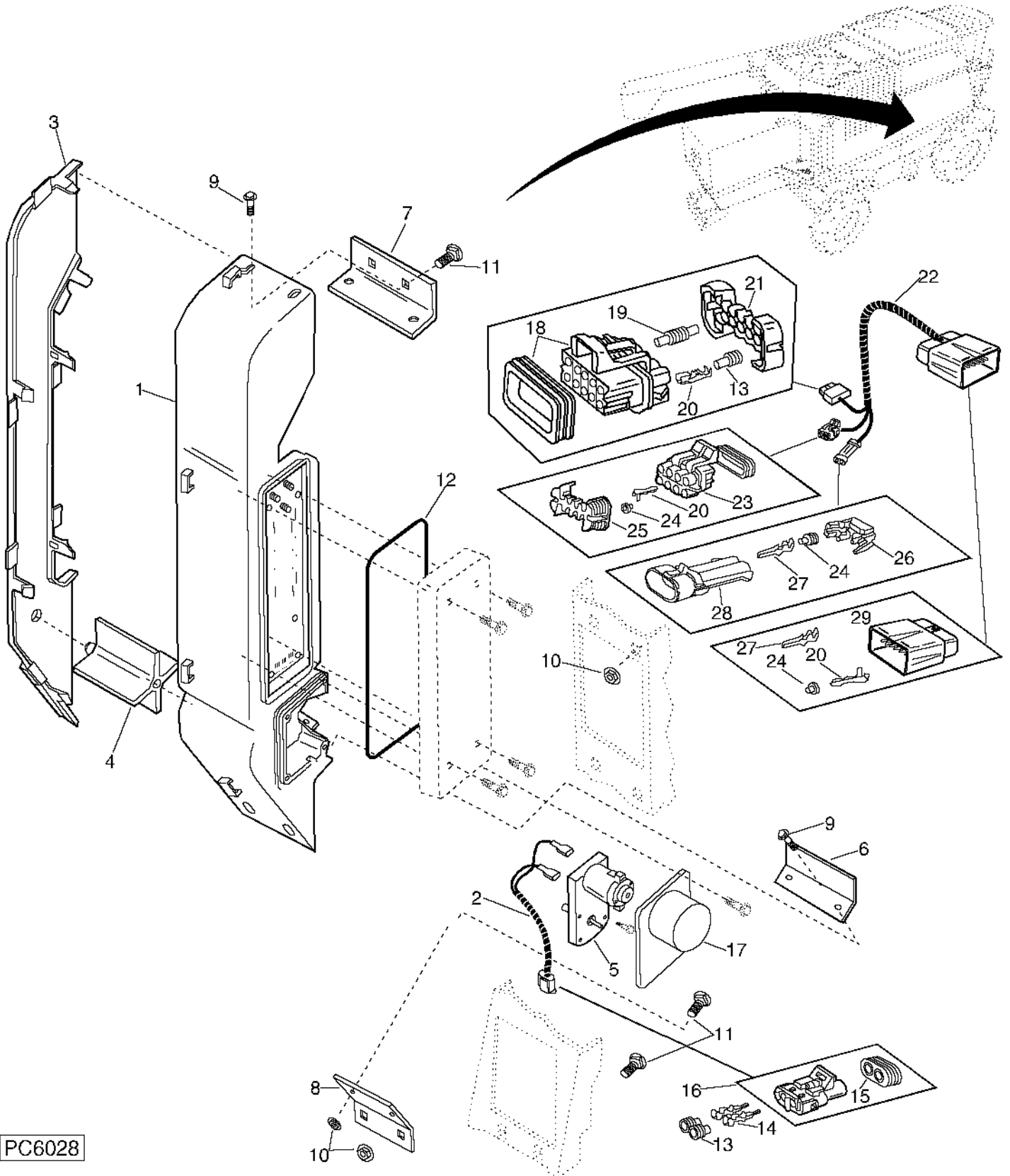
KEY	PART NO.	PART NAME	QTY	SERIAL NO.	REMARKS
1	PF80000	TRANSDUCER	1		
2	AH165256	BRACKET	1		
3	PF80047	BRACKET	1		
4	PF10350	SPACER	AR		
5	H135891	LOCK NUT	2	M10	
6	14M7303	FLANGE NUT	4	M6	
7	03M7190	BOLT	4	M10 X 20	
8	21M1690	WING SCREW	2	M6 X 16	
9	PF10173	COVER	1		
10	H171004	COVER	1		WHEN MASS-FLOW SENSOR IS NOT USED
11	AH165189	WIRING HARNESS	1		
12	R78059	ELECTRICAL PLUG	1		(PKG. OF 40) (18 OR 20 GA. WIRE) (GREEN)
13	R78057	SOCKET CONTACT	1		(PKG. OF 40) (18 OR 20 GA. WIRE) (NO. 19)
14	R78055	PIN CONTACT CONNECTOR BODY	1		(PKG. OF 2)
15	R78064	ELECTRICAL PLUG	1		(PKG. OF 40)
16	R78049	SEAL	1		(PKG. OF 5)
17	RE12364	SOCKET CONT.CONNECTOR BODY	1		(PKG. OF 3)
18	R78058	PIN CONTACT	1		(PKG. OR 40) (18 OR 20 GA. WIRE) (NO. 19)
19	Z36140	WASHER	4		10.500 X 16 X 2 MM (0.413" X 0.630" X 0.079")
20	24H1313	WASHER	4		10.312 X 44.450 X 1.651 MM (13/32" X 1-3/4" X 0.065")

# A18

FC: 8120

GREENSTAR™ COMBINE MAPPING

MOISTURE SENSOR  
PC6028 -UN-03SEP99



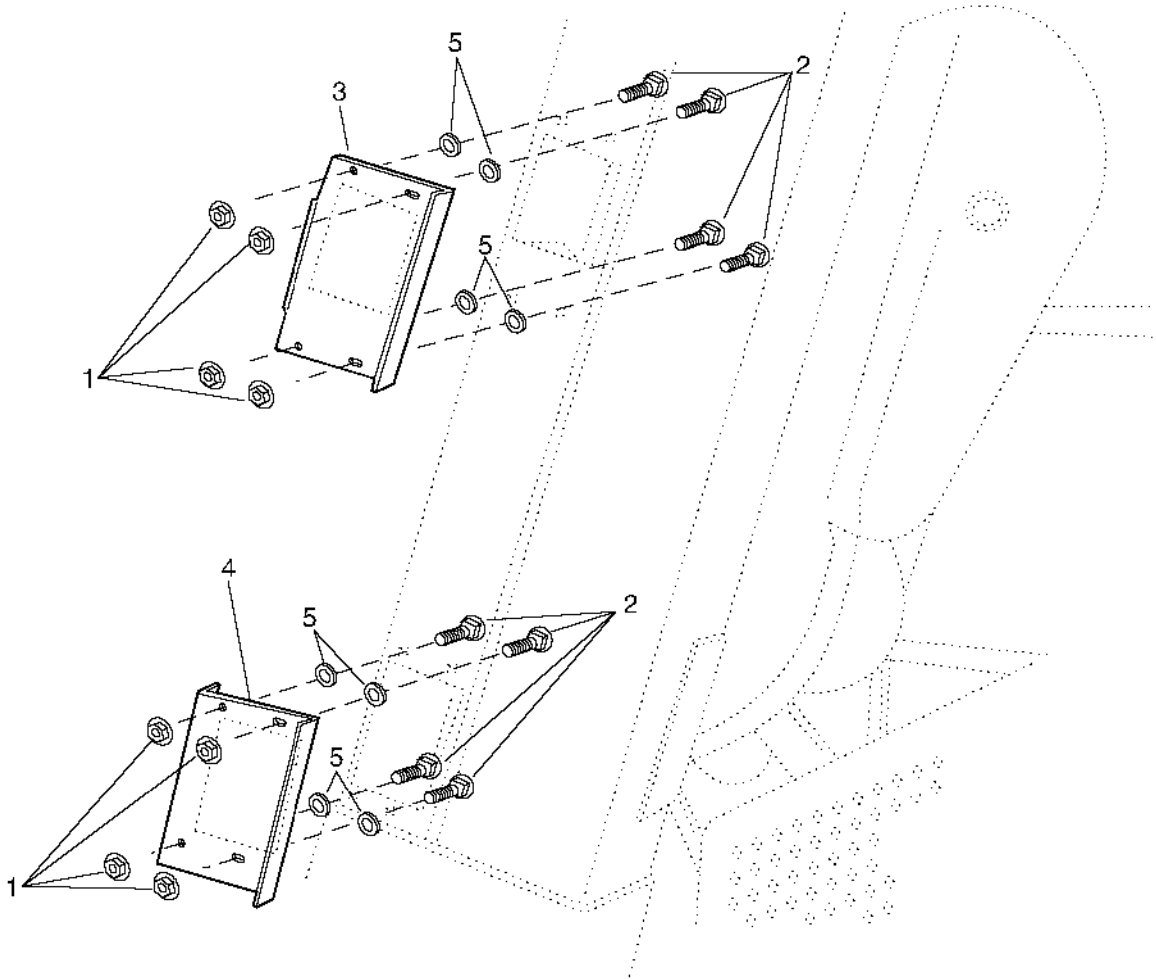
PC6028



**MOISTURE SENSOR - CONTINUED**

KEY	PART NO.	PART NAME	QTY	SERIAL NO.	REMARKS
1	PF80152	MOISTURE SENSOR MODULE	1		
2	PF80058	MOTOR WIRING HARNESS	1		
3	PF10034	COVER	1		
4	PF80045	PADDLE WHEEL ASSEMBLY	1		
5	AH128865	MOTOR	1		
6	PF10218	BRACKET	1		MIDDLE
7	PF80022	BRACKET	1		TOP
8	PF10106	BRACKET	1		BOTTOM
9	19M7774	SCREW	2		M6 X 12
10	14M7303	FLANGE NUT	8		M6
11	03M7221	BOLT	8		M6 X 16
12	PF10349	O-RING	1		
13	R78063	TERMINAL NIPPLE	1		(PKG. OF 40) (16 GA. WIRE) (GRAY)
14	R78060	SOCKET CONTACT	1		(PKG. OF 40) (14 OR 16 GA. WIRE) (NO. 15)
15	R78048	TERMINAL NIPPLE	1		(PKG. OF 5)
16	RE12363	CONNECTOR	1		(PKG. OF 3)
17	PF10035	COVER	1		
18	57M7262	RECEPTACLE CONNECTOR BODY	1		
19	57M7259	ELECTRICAL PLUG	1		
20	R104846	SOCKET CONTACT	1		(PKG. OF 10) (16 GA WIRE)
21	57M7281	CONNECTOR	1		
22	AH163684	WIRING HARNESS	1		
23	57M7261	RECEPTACLE CONNECTOR BODY	1		
24	57M7258	ELECTRICAL PLUG	1		
25	57M7296	CONNECTOR	1		
26	57M7316	CONNECTOR	1		
27	R104919	PIN CONTACT	1		
28	57M7256	PIN CONTACT CONNECTOR BODY	1		
29	.....	CONNECTOR	1		(ORDER AH163684)

**MOISTURE SENSOR COVERS**  
**WHEN MOISTURE SENSOR IS NOT USED**  
PC6029 -UN-03SEP99



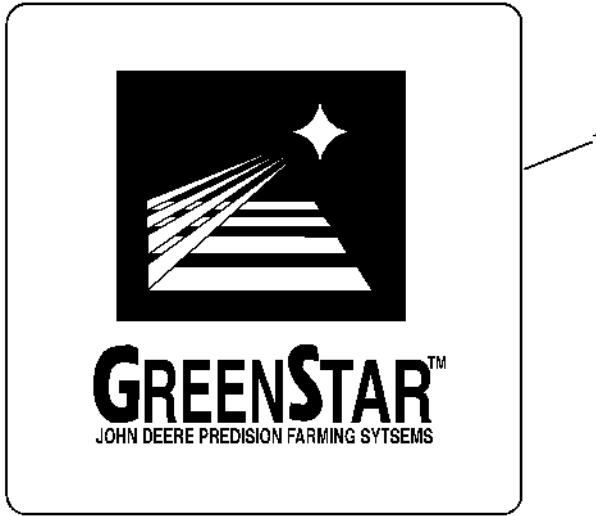
PC6029

**MOISTURE SENSOR COVERS  
WHEN MOISTURE SENSOR IS NOT USED**

KEY	PART NO.	PART NAME	QTY	SERIAL NO. OR YEAR	REMARKS
1	14M7303	FLANGE NUT	8	M6	
2	03M7221	BOLT	8	M6 X 16	
3	PF80173	COVER	1	UPPER	
4	PF80174	COVER	1	LOWER	
5	M80082	NUT	8	6.350 MM (1/4")	

**DECALS**  
PC6030

-UN-24SEP99

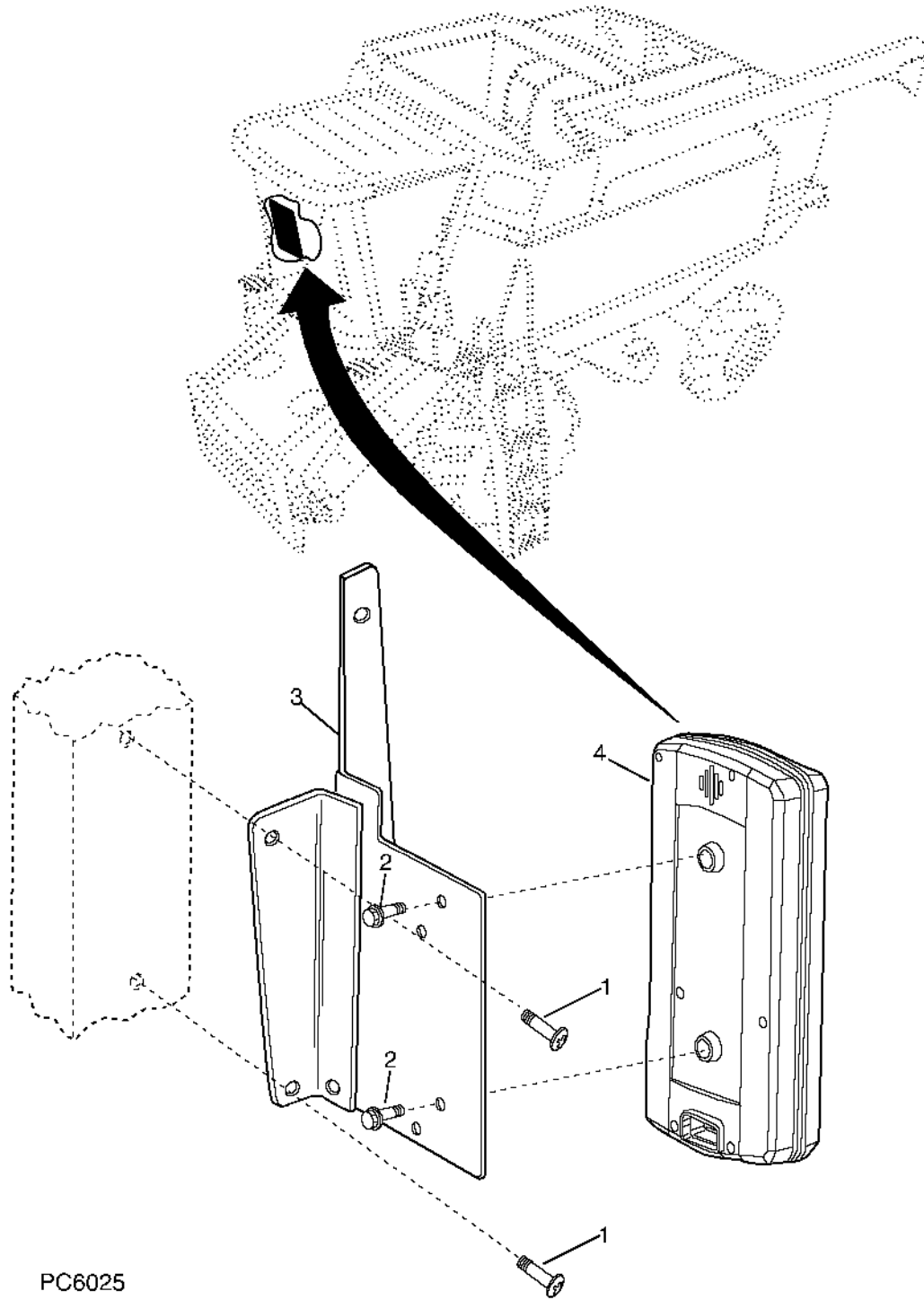


PC6030

KEY	PART NO.	PART NAME	QTY	SERIAL NO. OR YEAR	REMARKS
1	PF10144	DECAL	1		MOISTURE SENSOR COVER
2	H163216	LABEL	1		COMBINE GREENSTAR

MEMORANDA

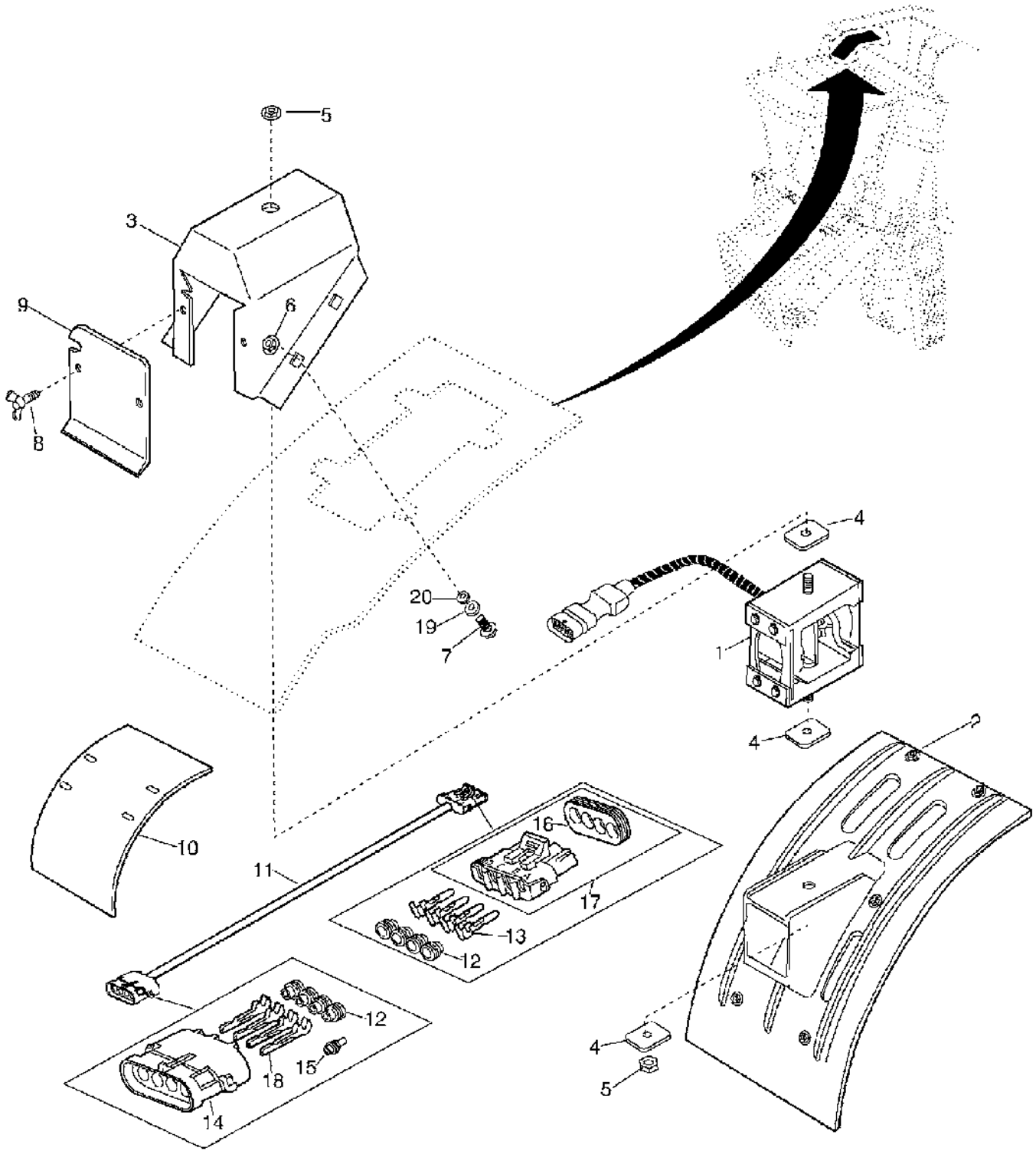
GREENSTAR™ DISPLAY  
PC6025 -UN-11AUG99



GREENSTAR™ DISPLAY - CONTINUED

KEY	PART NO.	PART NAME	QTY	SERIAL NO.	REMARKS
1	H168424	SCREW	1	M5 X 12	
2	19M7774	SCREW	2	M6 X 12	
3	PF80209	BRACKET	1		
4	PF80150	GREENSTAR DISPLAY MODULE	1		

**MASS FLOW SENSOR**  
PC6027 -UN-24SEP99



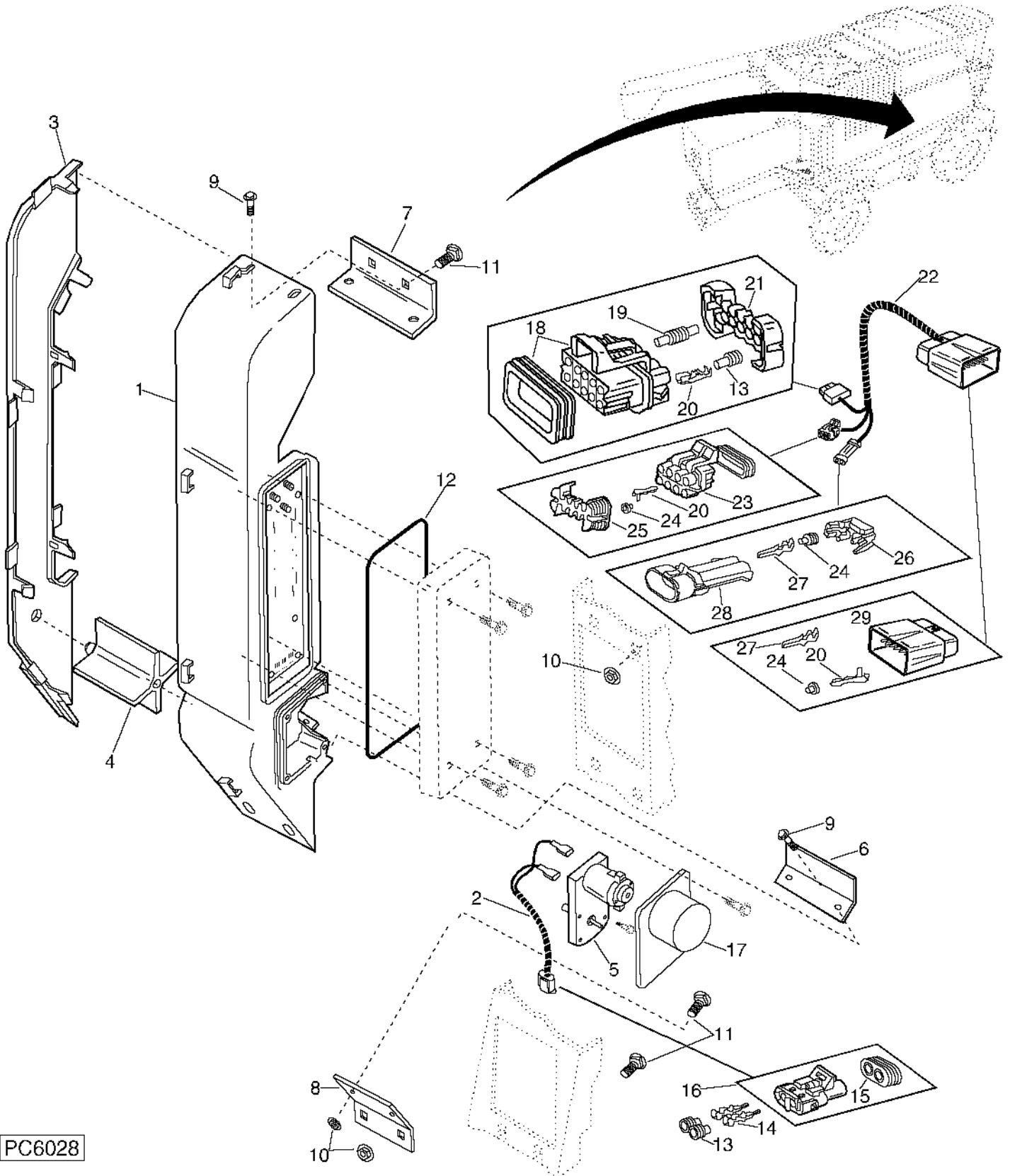
PC6027



## MASS FLOW SENSOR - CONTINUED

KEY	PART NO.	PART NAME	QTY	SERIAL NO.	REMARKS
1	PF80000	TRANSDUCER	1		
2	AH165256	BRACKET	1		
3	PF80047	BRACKET	1		
4	PF10350	SPACER	AR		
5	H135891	LOCK NUT	2	M10	
6	14M7303	FLANGE NUT	4	M6	
7	03M7190	BOLT	4	M10 X 20	
8	21M1690	WING SCREW	2	M6 X 16	
9	PF10173	COVER	1		
10	H171004	COVER	1		WHEN MASS-FLOW SENSOR IS NOT USED
11	AH165189	WIRING HARNESS	1		
12	R78059	ELECTRICAL PLUG	1		(PKG. OF 40) (18 OR 20 GA. WIRE) (GREEN)
13	R78057	SOCKET CONTACT	1		(PKG. OF 40) (18 OR 20 GA. WIRE) (NO. 19)
14	R78055	PIN CONTACT CONNECTOR BODY	1		(PKG. OF 2)
15	R78064	ELECTRICAL PLUG	1		(PKG. OF 40)
16	R78049	SEAL	1		(PKG. OF 5)
17	RE12364	SOCKET CONT.CONNECTOR BODY	1		(PKG. OF 3)
18	R78058	PIN CONTACT	1		(PKG. OR 40) (18 OR 20 GA. WIRE) (NO. 19)
19	Z36140	WASHER	4		10.500 X 16 X 2 MM (0.413" X 0.630" X 0.079")
20	24H1313	WASHER	4		10.312 X 44.450 X 1.651 MM (13/32" X 1-3/4" X 0.065")

**MOISTURE SENSOR**  
PC6028 -UN-03SEP99

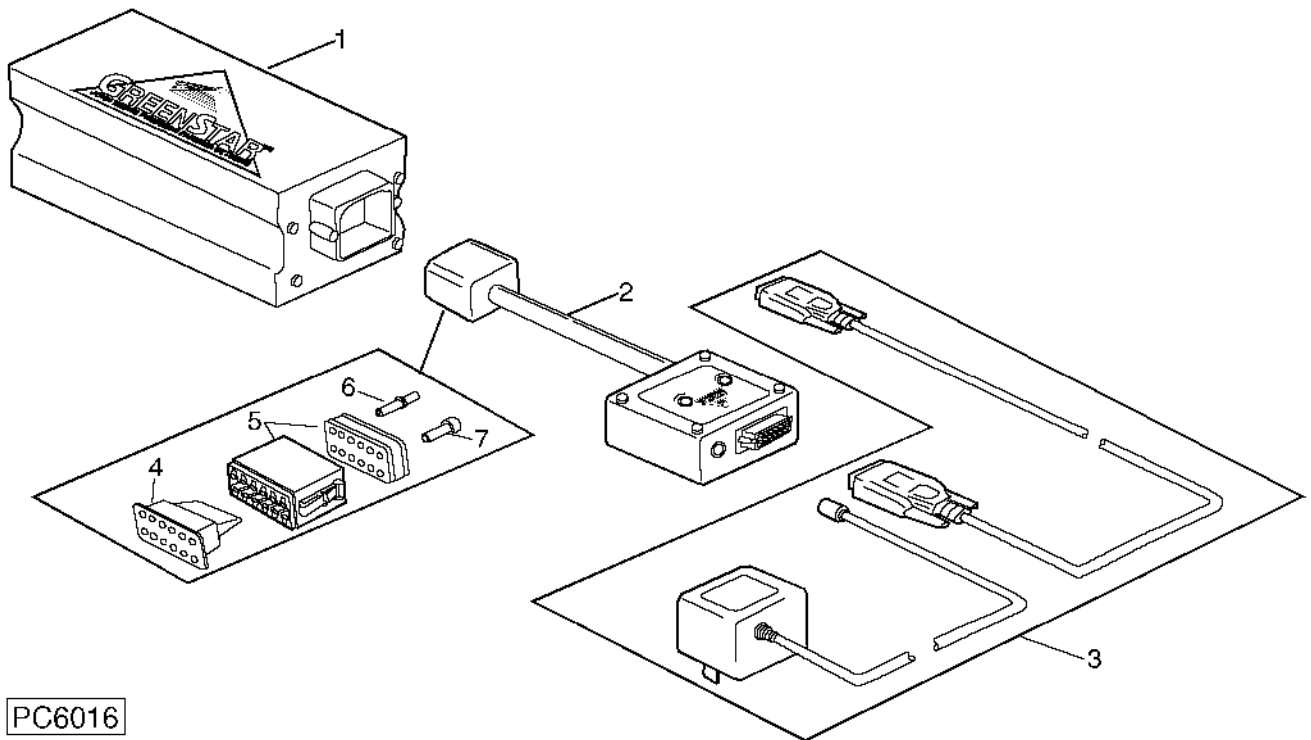


PC6028

MOISTURE SENSOR - CONTINUED

KEY	PART NO.	PART NAME	QTY	SERIAL NO.	REMARKS
1	PF80152	MOISTURE SENSOR MODULE	1		
2	PF80058	MOTOR WIRING HARNESS	1		
3	PF10034	COVER	1		
4	PF80045	PADDLE WHEEL ASSEMBLY	1		
5	AH128865	MOTOR	1		
6	PF10218	BRACKET	1		
7	PF80022	BRACKET	1		
8	PF10106	BRACKET	1		
9	19M7774	SCREW	2	M6 X 12	
10	14M7303	FLANGE NUT	8	M6	
11	03M7221	BOLT	8	M6 X 16	
12	PF10349	O-RING	1		
13	R78063	TERMINAL NIPPLE	1		(PKG. OF 40) (16 GA. WIRE) (GRAY)
14	R78060	SOCKET CONTACT	1		(PKG. OF 40) (14 OR 16 GA. WIRE) (NO. 15)
15	R78048	TERMINAL NIPPLE	1		(PKG. OF 5)
16	RE12363	CONNECTOR	1		(PKG. OF 3)
17	PF10035	COVER	1		
19	57M7259	ELECTRICAL PLUG	1		
20	R104846	SOCKET CONTACT	1		(PKG. OF 10) (16 GA WIRE)
21	57M7281	CONNECTOR	1		
22	AH163684	WIRING HARNESS	1		
23	57M7261	RECEPTACLE CONNECTOR BODY	1		
24	57M7258	ELECTRICAL PLUG	1		
25	57M7296	CONNECTOR	1		
26	57M7316	CONNECTOR	1		
27	R104919	PIN CONTACT	1		
28	57M7256	PIN CONTACT CONNECTOR BODY	1		
29	.....	CONNECTOR	1		(ORDER AH163684)

DATASTORE  
PC6016 -UN-03SEP99

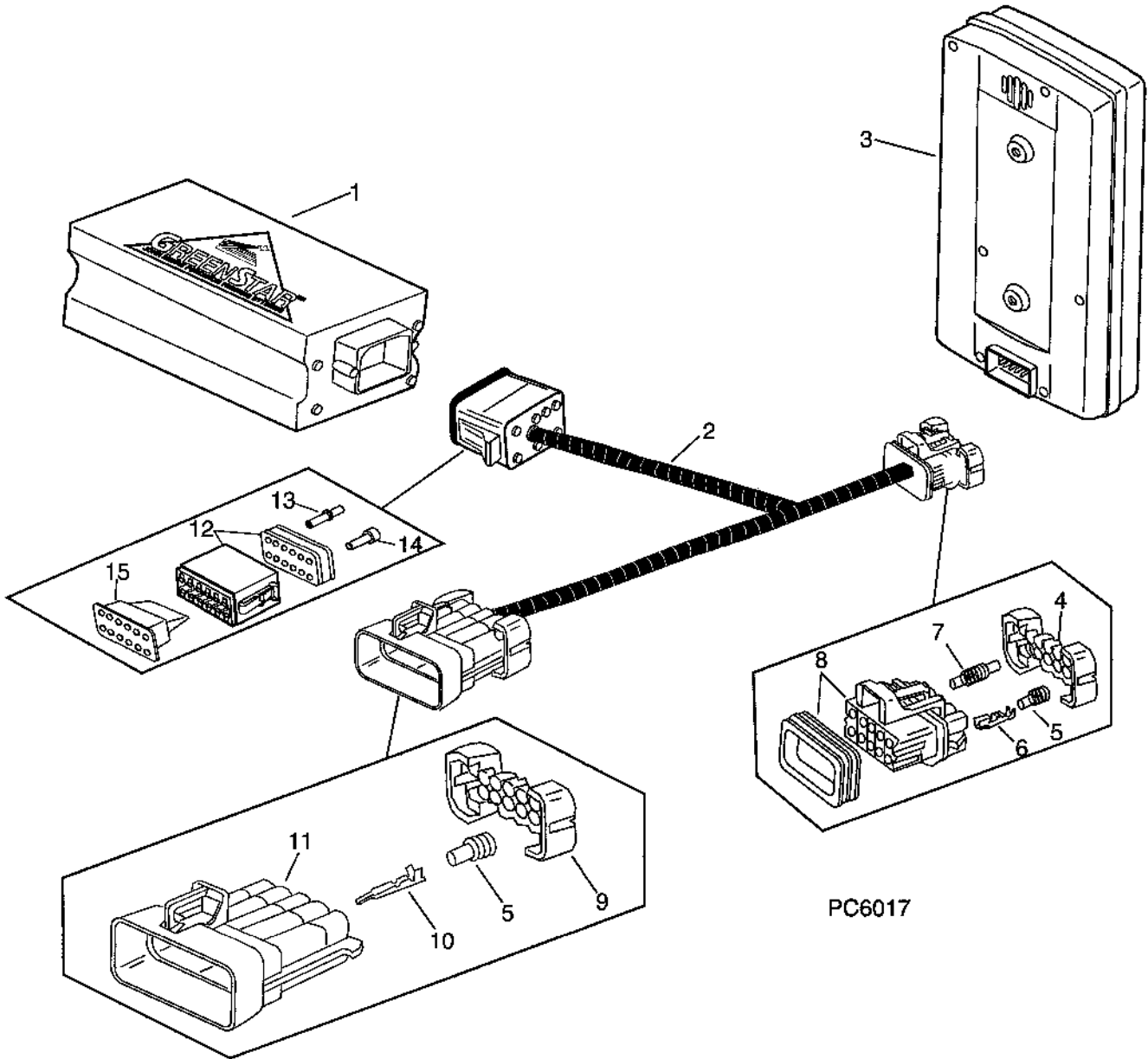


PC6016

## DATASTORE - CONTINUED

KEY	PART NO.	PART NAME	QTY	SERIAL NO.	REMARKS
1	PF80139	MODULE	1		
2	PF80137	MODULE	1		
3	PF80338	POWER SUPPLY	1		
4	57M7681	INSULATING SLEEVE	1		
5	57M8039	ELECTRICAL PLUG	1		
6	R78965	FITTING	1		
7	R78069	ELECTRICAL PLUG	1		

DATASTORE AND HARNESS  
PC6017 -UN-03JUN99

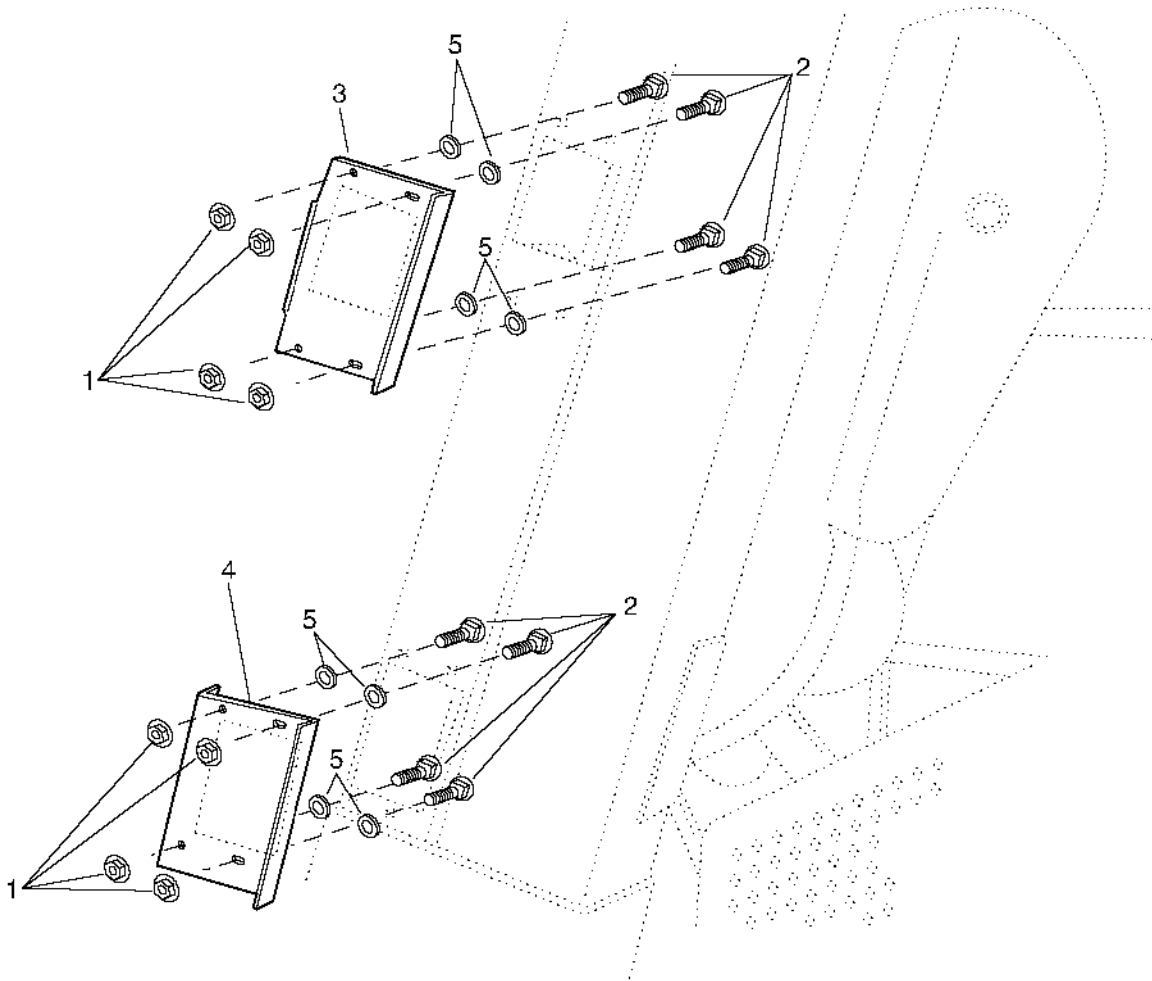


## DATASTORE AND HARNESS - CONTINUED

KEY	PART NO.	PART NAME	QTY	SERIAL NO.	REMARKS
1	PF80139	MODULE	1		
2	PF80136	WIRING HARNESS	1		
3	PF80150	GREENSTAR DISPLAY MODULE	1		
4	57M7281	CONNECTOR	1		
5	R78063	TERMINAL NIPPLE	1		
6	R104846	SOCKET CONTACT	1		(PKG. OF 10) (16 GA. WIRE)
7	57M7259	ELECTRICAL PLUG	1		
8	RE42195	CONNECTOR	1		
9	57M7281	CONNECTOR	1		
10	R104919	PIN CONTACT	1		
11	RE42196	CONNECTOR	1		
12	57M8039	ELECTRICAL PLUG	1		
13	R78965	FITTING	1		
14	R78069	ELECTRICAL PLUG	1		
15	57M7681	INSULATING SLEEVE	1		

**MOISTURE SENSOR COVERS**  
**WHEN MOISTURE SENSOR IS NOT USED**

PC6029 -UN-03SEP99



PC6029

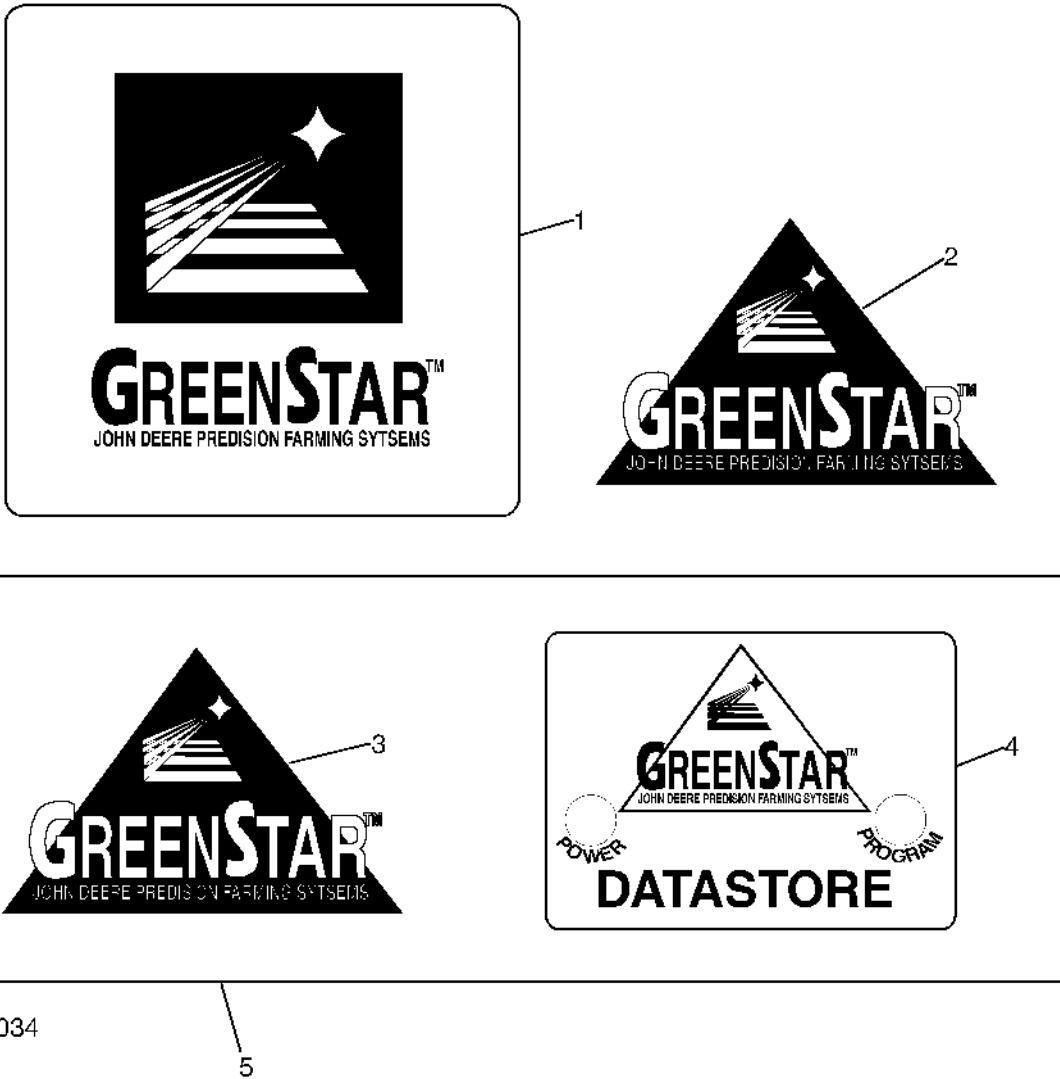


**MOISTURE SENSOR COVERS  
WHEN MOISTURE SENSOR IS NOT USED**

KEY	PART NO.	PART NAME	QTY	SERIAL NO. OR YEAR	REMARKS
1	14M7303	FLANGE NUT	8	M6	
2	03M7221	BOLT	8	M6 X 16	
3	PF80173	COVER	1	UPPER	
4	PF80174	COVER	1	LOWER	
5	M80082	NUT	8	6.350 MM (1/4")	

DECALS  
PC6034

-UN-24SEP99



DECALS - CONTINUED

KEY	PART NO.	PART NAME	QTY	SERIAL NO.	REMARKS
1	PF10144	DECAL	1		MOISTURE SENSOR
2	H163216	LABEL	2		COMBINE GREENSTAR
3	.....	DECAL	1		(ORDER PF80339) DATASTORE UNIT
4	.....	DECAL	1		(ORDER PF80339) DATASTORE INTERFACE
5	PF80339	DECAL	1		DATA STOR DECAL KIT

MEMORANDA

# L25

GREENSTAR™ 50 SERIES COMBINE YIELD MONITOR SYSTEM AND YIELD MAPPING SYSTEM

## NUMERICAL INDEX

PART NO.	GRID	KEY	PAGE	PART NO.	GRID	KEY	PAGE	PART NO.	GRID	KEY	PAGE
AH128865	A19	5	20-9	PF80209	B3	3	30-3				
AH128865	B7	5	30-7	PF80338	B9	3	30-9				
AH163684	A19	22	20-9	PF80339	B15	3	30-15				
AH163684	A19	29	20-9	PF80339	B15	4	30-15				
AH163684	B7	22	30-7	PF80339	B15	5	30-15				
AH163684	B7	29	30-7	RE12363	A19	16	20-9				
AH165189	A17	11	20-7	RE12363	B7	16	30-7				
AH165189	B5	11	30-5	RE12364	A17	17	20-7				
AH165256	A17	2	20-7	RE12364	B5	17	30-5				
AH165256	B5	2	30-5	RE42195	B11	8	30-11				
H135891	A17	5	20-7	RE42196	B11	11	30-11				
H135891	B5	5	30-5	R104846	A19	20	20-9				
H163216	A22	2	20-12	R104846	B7	20	30-7				
H163216	B15	2	30-15	R104846	B11	6	30-11				
H168424	A15	1	20-5	R104919	A19	27	20-9				
H168424	B3	1	30-3	R104919	B7	27	30-7				
H171004	A17	10	20-7	R104919	B11	10	30-11				
H171004	B5	10	30-5	R78048	A19	15	20-9				
M80082	A21	5	20-11	R78048	B7	15	30-7				
M80082	B13	5	30-13	R78049	A17	16	20-7				
PF10034	A19	3	20-9	R78049	B5	16	30-5				
PF10034	B7	3	30-7	R78055	A17	14	20-7				
PF10035	A19	17	20-9	R78055	B5	14	30-5				
PF10035	B7	17	30-7	R78057	A17	13	20-7				
PF10106	A19	8	20-9	R78057	B5	13	30-5				
PF10106	B7	8	30-7	R78058	A17	18	20-7				
PF10123	A13	8	20-3	R78058	B5	18	30-5				
PF10134	A13	2	20-3	R78059	A17	12	20-7				
PF10135	A13	3	20-3	R78059	B5	12	30-5				
PF10144	A22	1	20-12	R78060	A19	14	20-9				
PF10144	B15	1	30-15	R78060	B7	14	30-7				
PF10173	A17	9	20-7	R78063	A19	13	20-9				
PF10173	B5	9	30-5	R78063	B7	13	30-7				
PF10218	A19	6	20-9	R78063	B11	5	30-11				
PF10218	B7	6	30-7	R78064	A17	15	20-7				
PF10240	A13	5	20-3	R78064	B5	15	30-5				
PF10349	A19	12	20-9	R78069	B9	7	30-9				
PF10349	B7	12	30-7	R78069	B11	14	30-11				
PF10350	A17	4	20-7	R78965	B9	6	30-9				
PF10350	B5	4	30-5	R78965	B11	13	30-11				
PF10523	A13	8	20-3	Z36140	A17	19	20-7				
PF80000	A17	1	20-7	Z36140	B5	19	30-5				
PF80000	B5	1	30-5								
PF80022	A19	7	20-9								
PF80022	B7	7	30-7								
PF80045	A19	4	20-9								
PF80045	B7	4	30-7								
PF80047	A17	3	20-7								
PF80047	B5	3	30-5								
PF80058	A19	2	20-9								
PF80058	B7	2	30-7								
PF80136	B11	2	30-11								
PF80137	B9	2	30-9								
PF80139	B9	1	30-9								
PF80139	B11	1	30-11								
PF80150	A15	8	20-5								
PF80150	B3	4	30-3								
PF80150	B11	3	30-11								
PF80152	A19	1	20-9								
PF80152	B7	1	30-7								
PF80153	A13	1	20-3								
PF80156	A15	7	20-5								
PF80173	A21	3	20-11								
PF80173	B13	3	30-13								
PF80174	A21	4	20-11								
PF80174	B13	4	30-13								
PF80209	A15	3	20-5								